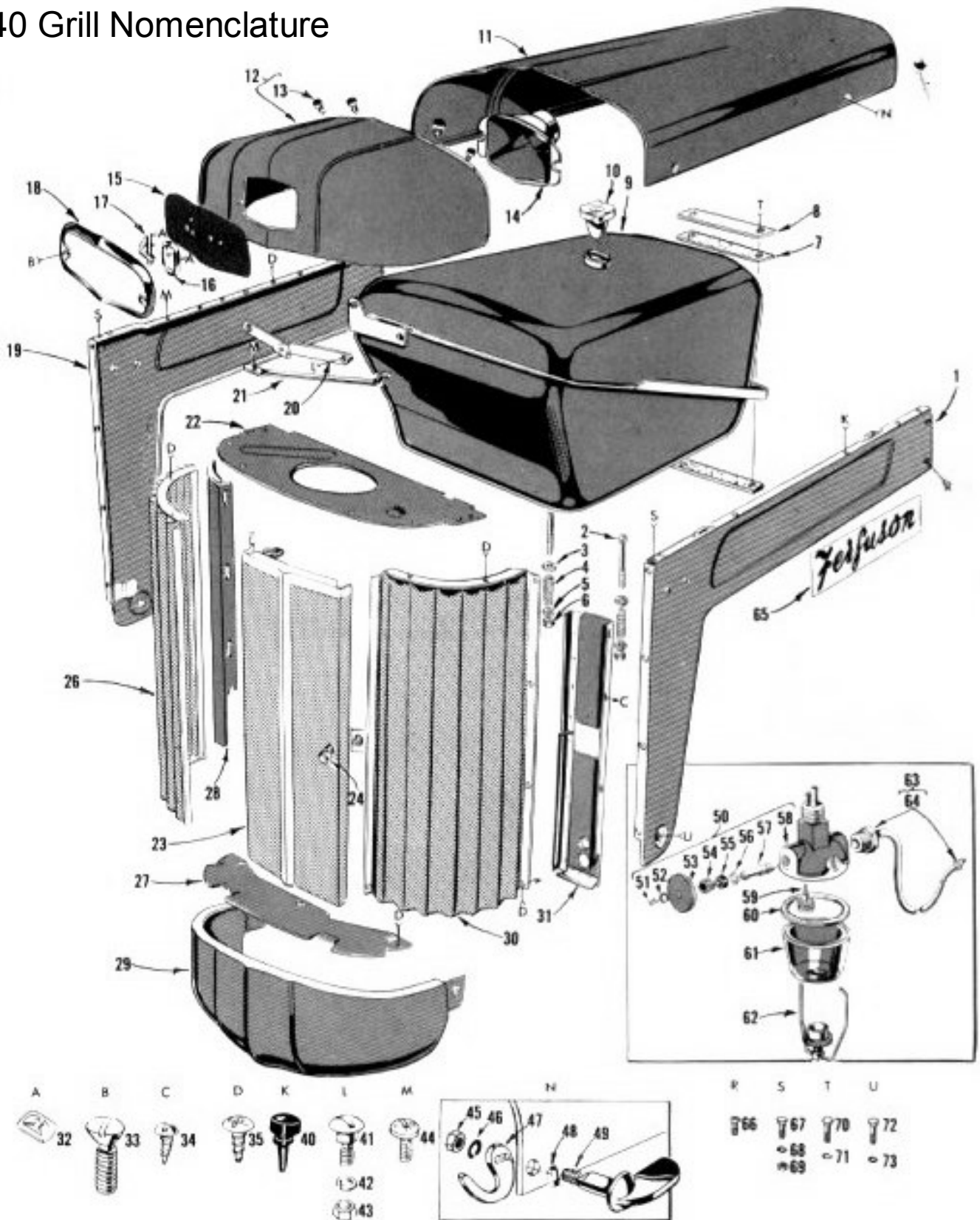


F-40 Grill Nomenclature

F 264



PARTS CODE

- | | | |
|------------------------------|------------------------------|---|
| 1. Left side panel | 22. Upper grill plate | K. Rubber hood bumpers |
| 11. Hood assembly | 23. Grill access door | <i>Not Shown:</i> air cleaner tube and |
| 12. Hood cap (nose) assembly | 26. Right grill | and steering pedestal support assembly. |
| 19. Right side panel | 27. Lower grill plate | (see installation instructions on next page) |
| 20. Hood stop lever assembly | 29. Lower grill panel (chin) | |
| 21. Side panel brace rod | 30. Left grill | |

Installing the Hood & Grill on the Ferguson F-40

(Two persons recommended for some steps)

Installation of the F-40 hood and grill is not simple; in fact, it can be, at best, a bit tricky and, at worst, difficult. If you have just repainted your tractor, you will certainly want to re-assembly the unit in such a way as to protect the new paint finish in the best way possible. The job can be done (with difficulty) by one person; using two is highly recommended.

1. Install the upper section of the instrument panel to the battery pedestal and install the throttle lever assembly. Slip the lower half of the instrument into the groove under the front of the upper panel.
2. Insert the bent end of the hood panel brace rod (21) into the inside hole at the top right front of the fuel tank before installing and bolting down the fuel tank. *This step is critical.* If this procedure is not followed, it will be impossible to attach the brace rod later. The brace rod is important for providing stability and proper alignment of the hood unit.
3. Fasten the lower mounting plate (27) at its front center to the steering pedestal support assembly with a 3/8" x 3/4" hex head cap screw (center, front) and two 9/16" x 3/4" hex head cap screws at the two ends. Finger tighten only. (If you have power steering, the outside cap screw to your right (facing toward the rear) will be very difficult to reach without a socket wrench extension and a flexible joint. You may decide not to utilize this one.)
4. Insert the air cleaner assembly (without any oil in the cup) into the upper mounting plate (22) and fasten with sheet metal screws.
5. Fasten the above assembled unit to the hood cap (12) using sheet metal screws.
6. Using sheet metal screws, fasten the tops of the left (30) and right (26) grill screens to the assembled hood cap unit.
7. Carefully set the assembled grill unit on the lower mounting plate (27), loosely fastening each side with one sheet metal screw but do not tighten yet.
8. Insert rubber bumpers (40) (9 are required) into instrument console, the hood cap, and the left side hood panel. Doing so at this stage of the installation will help avoid scratches to the paint finish.
9. Install the curved metal tube (not shown) from the air cleaner to the carburetor.
10. If you are using headlights mounted on the side panels (1 & 19), install them at this stage as it will not be possible to do so after the hood is completely installed.
11. Attach the left side panel (1) to the hood cap (12) and to the instrument console with bolts; then attach it to the left grill screen (30) with sheet metal screws.
12. Attach the right side hood panel (19) (without top panel {11} attached) to the hood cap (12) and to the instrument console with bolts; then attach to the right grill screen (26) with sheet metal screws. Be certain that the end of the brace rod (21) having the threaded hole is *under the air cleaner tube and below the lip of the right side panel* (26) to which the brace rod will be attached. Position the brace rod correctly *before* bolting the side panel in position.
13. Attach the hinge of the top hood piece (11) to the right side panel (26). *See Note below for an alternate method for this step. The top hood piece may be moved slightly forward or rearward to position it correctly relative to the instrument console and the head cap (12) before tightening the sheet metal screws.*
14. Attach the end of the brace rod (21) to the right side panel (26) so that the end with the threaded hole is under the top lip of the right side panel.
15. Attach the hinged hood stop lever assembly (20) to the hole in the bracket under the front of the hood and to outside hole of the bracket that is mounted on the right front of the fuel tank.
16. Install the remaining sheet metal screws attaching the two grill screens (26 & 30) to the lower mounting plate (27).
17. Insert the lower grill (chin) piece (29).
18. Insert the two 7/16" x 1" hex head cap screws through the bottoms of the two side panels (1 & 19) through the holes in the sides of the lower grill panel (chin) piece (29) to the steering pedestal support assembly.
19. Align and adjust the hood and grill pieces as needed and then tighten all bolts and screws.
20. Install grill center access door (23).

Note: In step 12 above, it is assumed that new sheet metal screws will be used to attach the hinge of the top hood panel to the right side (as was done originally). If you are using small machine screws requiring a nut, this method will be very difficult as the nuts will be had to attach to the screws from inside the right side panel. In such case, it is recommended that you first attach the hinge of the top hood piece to the right side panel **before** attaching the right side panel to the instrument console and to the right grill panel. This method is very tricky with only one person as the joined pieces are difficult to manage.

Developed by Carl Morrison of Frazeyburg, OH, Gary Heffner of Rushville, OH, and Paul Nelson of Chino Valley, AZ.